

MSI855

Mariner Kit for use with the HP Series 5 Pro 527pf
27-inch FHD Monitor (Wall mount)



The HP Series 5 Pro 527pf 27-inch FHD Monitor is marine type approved when it is installed in conjunction with our Mariner Kit MSI855.

The MSI855 Mariner Kit is designed to fit onto any vertical surface and affords protection against the effects of vibration and shock experienced in the offshore marine environment. The combination has been type tested against IACS Unified Requirement E10 and the relevant sections of IEC60945 (see below right for test details).

This marine type approved combination of hardware and Mariner Kit can be used as the platform for your critical navigation, control, loading and general purpose applications.

Please note that although the monitor retains its standard functionality it is not fully dimmable, and it cannot therefore be used in the front of the bridge where it may affect night vision. The monitor can however be used in any area where night vision is not an issue.

**“Proven solutions for
a demanding environment”**



PRODUCT FEATURES

- ◆ Focus on the finer details and enjoy sharp visuals and crystal clear images with the 1920 x 1080 FHD resolution on the 27-inch diagonal monitor
- ◆ No matter where you are, IPS technology ensures image accuracy and consistency across wide 178-degree horizontal and vertical viewing angles
- ◆ With a 120 Hz refresh rate this monitor is capable of crisp, clear details, while smoothly moving from frame to frame with a lightning-fast response
- ◆ See the nuanced differences of colour, shadow, and highlights thanks to the enhanced 1,500:1 contrast ratio
- ◆ 350 nits of brightness lets you see clearly
- ◆ Enjoy highly accurate colours on screen with 100% sRGB. This HP monitor provides ideal colour reproduction with minimal effort
- ◆ More ports means more capabilities. With HDMI 1.4, DisplayPort™ 1.2, USB-B (upstream), and 4 USB-A 3.2 ports, you can connect multiple devices
- ◆ HP Eye Ease is an always-on, hardware low-blue light that helps keep your eyes comfortable throughout the day by reducing blue light without impacting colour accuracy or adding a yellow colour shift
- ◆ Customise your display with easy, intuitive HP Display Centre software
- ◆ HP is committed to helping protect our shared future by minimising the energy their monitors consume to help reduce energy demand. This monitor is held to the highest energy saving standard with an ENERGY STAR® rating and EPEAT® Gold Registration
- ◆ Compliant with the Restrictions of Hazardous Substances (RoHS) Directive – 2011/65/EU
- ◆ Designed to comply with the Waste Electrical and Electronic Equipment (WEEE) directive – 2012/19/EU
- ◆ Supported by HP's three-year limited warranty

This Mariner Systems solution is tested against the consolidated, 'worst-case' requirements of the following major international marine Classification Societies:

ABS, BV, CCS, ClassNK, DNV, KR, LR, PRS & RINA

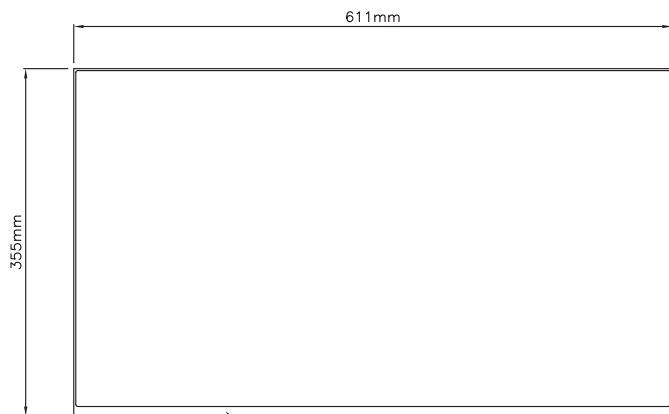
Refer to individual Classification Society type approval certificates for any restrictions / limitations.

Tests included within the test programme are as follows:

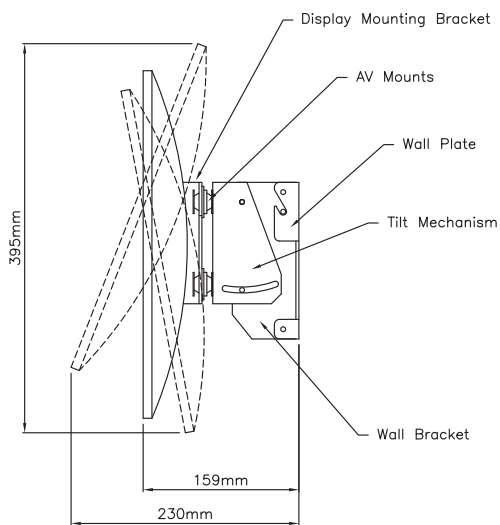
- > Vibration, Shock, Static and Dynamic Inclination
- > Dry & Damp Heat, Low Temperature
- > Acoustic Noise, Compass Safe Distance
- > High Voltage, Power Supply Variation & Power Supply Failure
- > Conducted LF & RF, Electromagnetic Field
- > Radiated & Conducted Emissions, Electrostatic Discharge
- > Insulation Resistance, Burst / Fast Transients
- > Surge Immunity, Access to Dangerous Voltages

MSI855

Mariner Kit for use with the HP Series 5 Pro 527pf 27-inch FHD Monitor (Wall mount)



HP Series 5 Pro 527pf FHD 27" Monitor



OPERATING GUIDELINES

Although all of our solutions are tested against extreme environmental conditions for the purposes of marine type approval, installation should consider the following guidelines:

- > Keep the monitor away from excessive moisture, direct sunlight and the extremes of heat and cold. Wherever possible, ensure that the unit is operated within the manufacturer's recommended operating range:

	Operating	Non-Operating
Temperature	+5° to +35°C (+41° to +95°F)	-40° to +65°C (-40° to +149°F)
Humidity	20% to 80% (non-condensing)	5% to 95% (non-condensing)

- > Leave clearance on all vented sides of the monitor to permit sufficient airflow
- > Never restrict airflow into the monitor by blocking any vents or air intakes
- > If the monitor is to be operated within a separate enclosure, suitable ventilation should be provided

By following these guidelines, you will maximise the life of your monitor and minimise service costs.

STATISTICS

Overall Fitted Dimensions (max)	611mm (w) x 395mm (h) x 230mm (d)
Weight (Mariner Kit only)	1.2 kg
Weight (including hardware)	5.1 kg
Panel Technology	IPS
Display Size (diagonal)	27 in (68.6 cm)
Panel Active Area (w x h)	23.54 x 13.24 in (59.79 x 33.63 cm)
Aspect Ratio	16:9
Native Resolution	FHD (1920 x 1080)
Viewing Angle (typical)	Up to 178 degrees horizontal and 178 degrees vertical
Brightness (typical)	350 nits
Contrast Ratio (static)	1,500:1
Dynamic Contrast Ratio	10,000,000:1
Response Time (typical)	5 ms GtG (with overdrive)
Pixel Pitch	0.3114 x 0.3114 mm
Backlight Lamp Life (to half brightness)	30,000 hours minimum
Input Connectors	DisplayPort™ 1.2, HDMI 1.4, HDCP support on DisplayPort™ and HDMI
USB Ports	1 x USB Type-B; 4 x USB Type-A 3.2 (1 charging)
Input Power	100 to 240 VAC 50/60 Hz
Typical Power Consumption	22W
Maximum Power Consumption	60W
Mariner Kit Tilt Range	10 degrees down; 20 degrees up



Mariner Systems (UK) Limited

Oaklands Park • Wokingham • Berkshire • RG41 2FD • United Kingdom

Telephone: +44 (0) 118 979 6020 • sales@marinersystems.com

www.marinersystems.com



Design and specifications are subject to change without notice. E&OE.

Version 1